

129-Series Side Inflation Multi-Flex™ Line Stop Plug Data Sheet

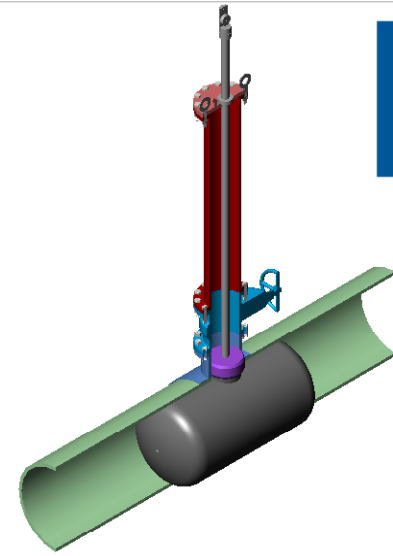
Table 1 - Customer Information. Units are inches and psig.

Customer:			
Location:		Date:	
Dim A - Pipeline ID:		Dim B - Pipeline OD:	
Pipeline Class, Schedule, Material:		Pipeline Pressure:	
Pipeline Fluid:		Pipeline Temperature:	
Dim C - Valve Height:		Dim D - Preferred Hot Tap ID:	
Dim E - To Left Obstruction:		Dim F - To Right Obstruction:	
How long will plug be in place?			

Table 2 - Petersen Specifications. Units are inches and psig.

Plug Pressure:		Dim G - Plug Length:	
Dim H - Deflated Plug Length:		Dim J - Flange Thickness:	
Dim K - Customer Flange Thickness:		Dim L - Centering Guide Location:	
Launch Cylinder Length Adder:		Dim M - Launch Cylinder Length:	
Dim N - Inflation Ram Min Extension:		Dim P - Packing Seal Height:	
Dim Q - Inflation Ram Length:		Dim R - Max Launch Assy Length:	
Dim S - Stop Collar Location:		Dim T - Inflation Ram Dia:	
Dim U - Approximate Contact Length:		Required Hot Tap ID:	

Petersen Products Company



Inflation Ram Pulley and Inflation Source Connection

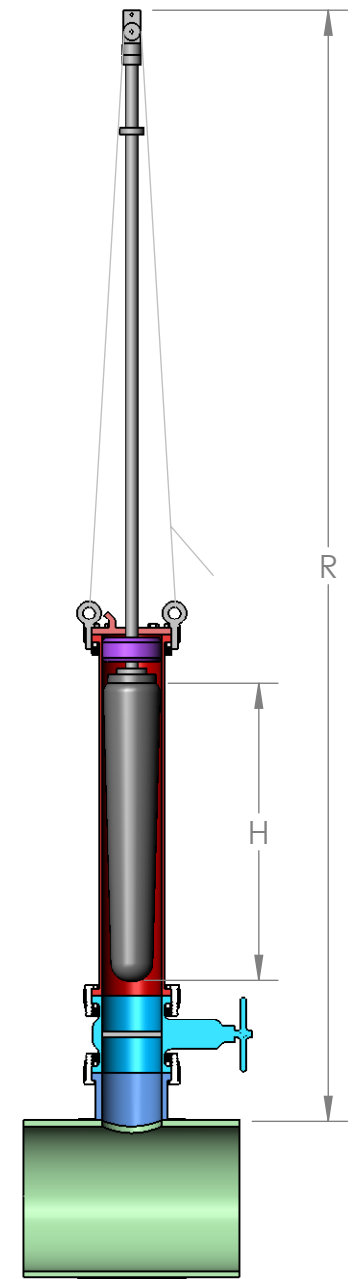
Stop Collar

Inflation Ram

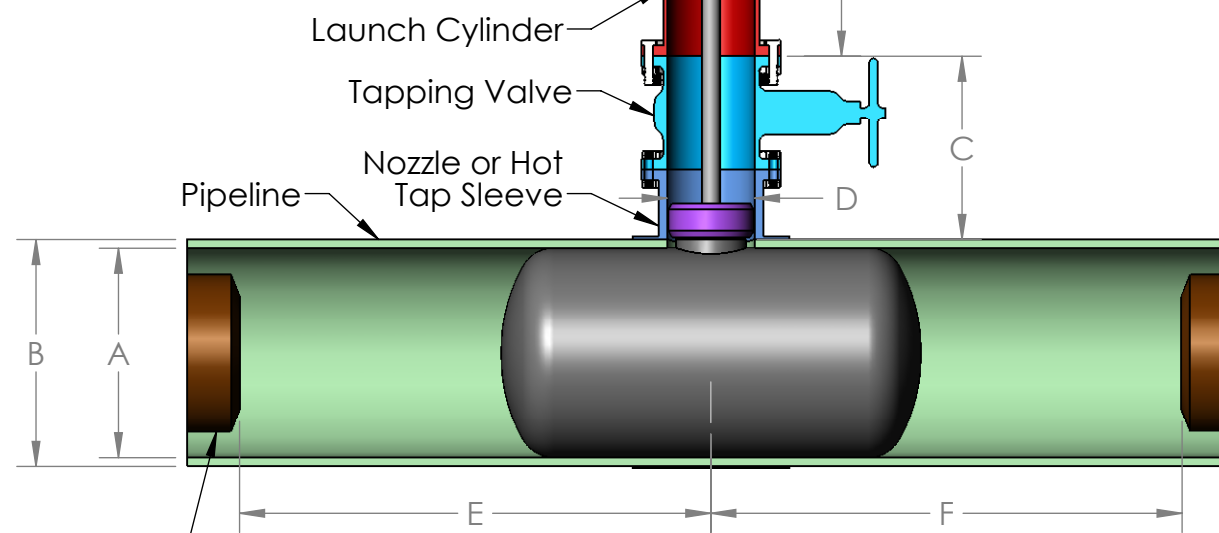
Centering Guide

Plug

Plug and Ram Assembly



Plug In Launch Cylinder



Possible Obstruction in Customer's Pipeline

Plug Inserted

DO NOT SCALE DRAWING

UNLESS OTHERWISE SPECIFIED:
DIMENSIONS ARE IN INCHES
TOLERANCES:
ANGULAR: ±.5°
X.X ±.02
X.XX ±.01
X.XXX ±.005

PROPRIETARY AND CONFIDENTIAL
THE INFORMATION CONTAINED IN THIS DRAWING IS THE SOLE PROPERTY OF PETERSEN PRODUCTS CO. LLC. ANY REPRODUCTION IN PART OR AS A WHOLE WITHOUT THE WRITTEN PERMISSION OF PETERSEN PRODUCTS CO. LLC. IS PROHIBITED.

	NAME	DATE
DRAWN		1/25/08
ENG APPR.		
MFG APPR.		

PETERSEN PRODUCTS CO. LLC

MATERIAL:

FINISH:

TITLE:
129-SERIES MULTI-FLEX™ LINE STOP PLUG DATA SHEET

SIZE	DWG. NO.	REV
B		0
SCALE: 1:22		SHEET 1 OF 1