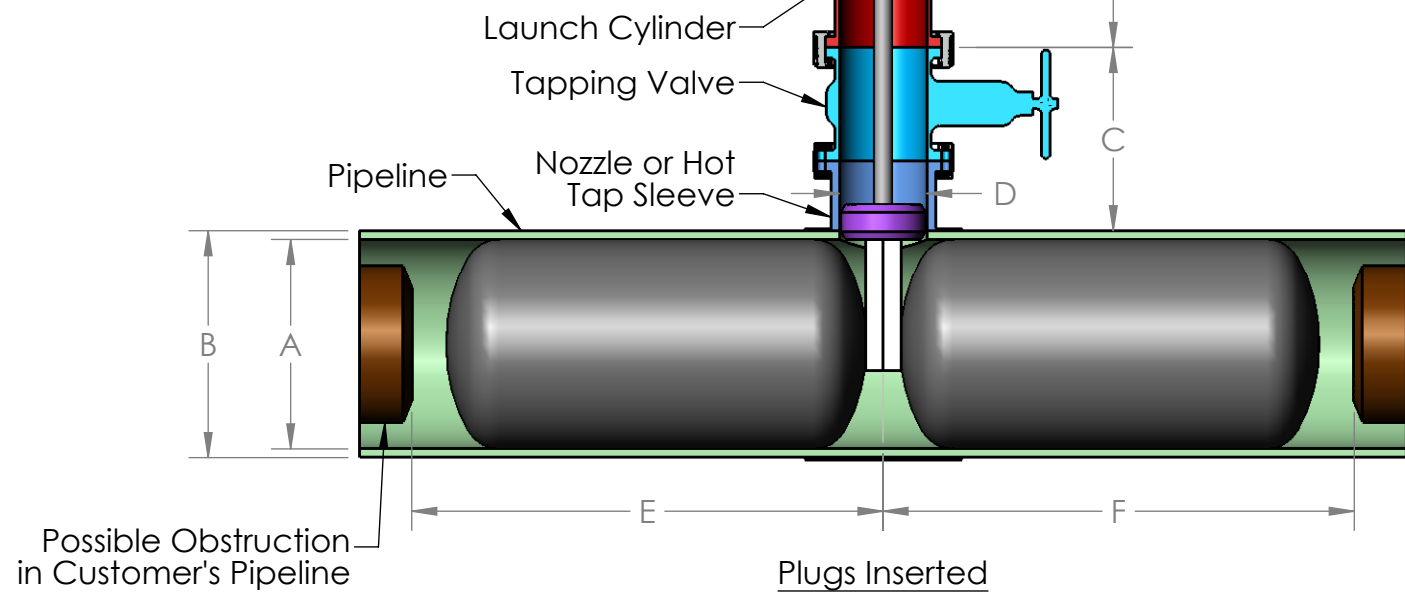
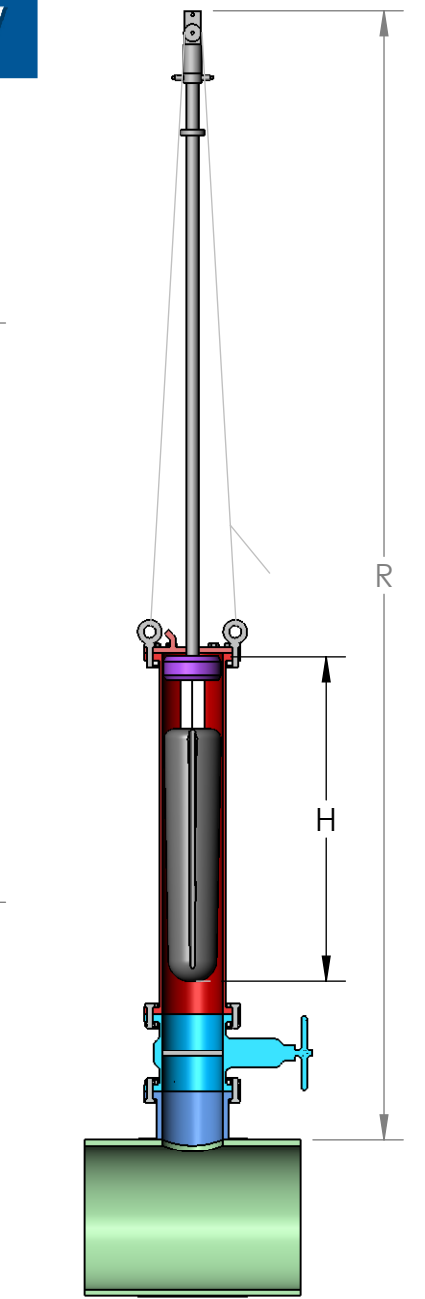
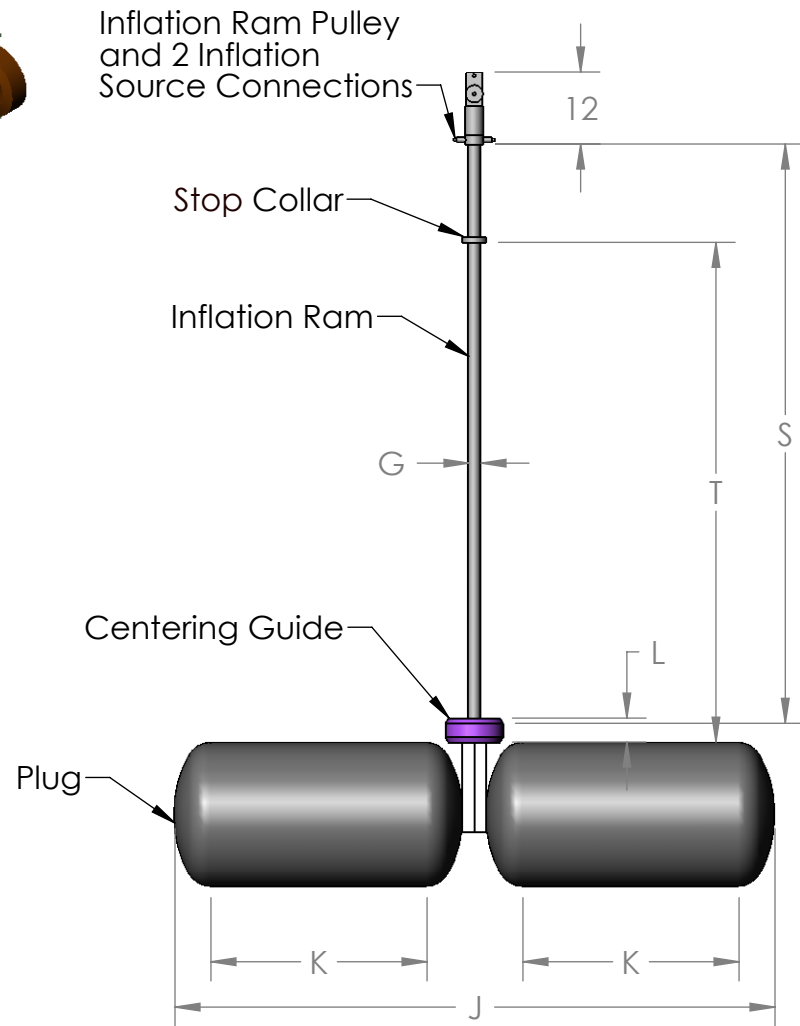
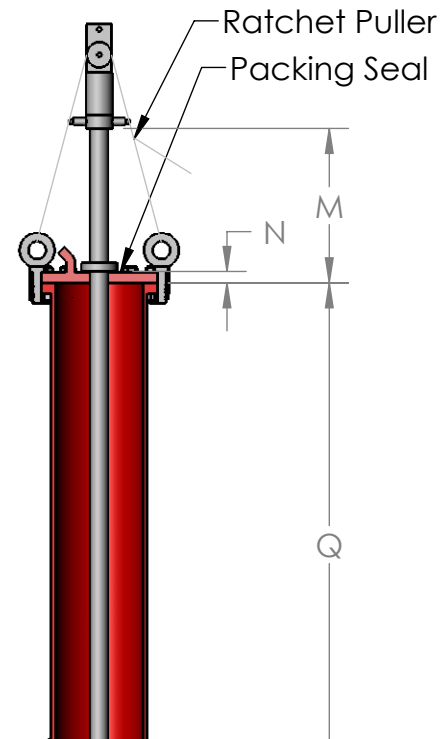
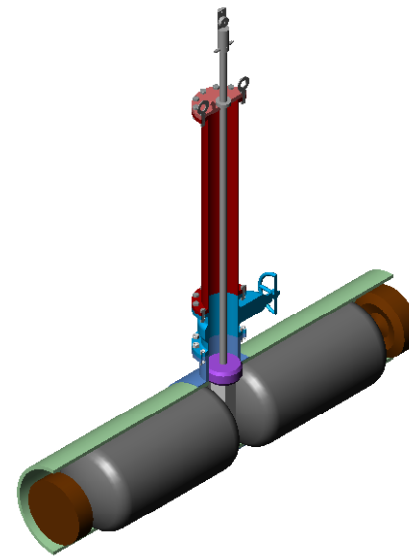


129-Series Dual Multi-Flex™ Line Stop Plug Data Sheet
Table 1 - Customer Information. Units are inches and psig.

Customer:	
Location:	Date:
* Dim A - Pipeline ID:	* Dim B - Pipeline OD:
Pipeline Class, Schedule, Material:	Pipeline Pressure:
Pipeline Fluid:	Pipeline Temperature:
* Dim C - Valve Height:	Dim D - Preferred Hot Tap ID:
Dim E - To Left Obstruction, if any:	Dim F - To Right Obstruction, if any:
How long will plug be in place?	

Table 2 - Petersen Specifications. Units are inches and psig.

Plug Pressure:	Dim G - Inflation Ram Dia:
Dim H - Max Deflated Length - both Plugs and Centering Guide:	Dim J - Max Inflated Length - both Plugs:
* Dim K - Approximate Contact Length each:	* Dim L - Centering Guide Location:
* Dim M - Inflation Ram Min Extension:	* Dim N - Packing Seal Height:
* Dim P - Launch Cylinder Length Adder:	
Dim Q - Launch Cylinder Length:	Dim R - Max Launch Assy Length:
Dim S - Inflation Ram Length:	Dim T - Stop Collar Location:
Min Required Hot Tap ID:	Launch Cyl. size & type:



DO NOT SCALE DRAWING
 UNLESS OTHERWISE SPECIFIED:
 DIMENSIONS ARE IN INCHES
 TOLERANCES:
 ANGULAR: ±.5°
 X.X ±.02
 X.XX ±.01
 X.XXX ±.005

PROPRIETARY AND CONFIDENTIAL
 THE INFORMATION CONTAINED IN THIS DRAWING IS THE SOLE PROPERTY OF PETERSEN PRODUCTS CO. LLC. ANY REPRODUCTION IN PART OR AS A WHOLE WITHOUT THE WRITTEN PERMISSION OF PETERSEN PRODUCTS CO. LLC. IS PROHIBITED.

PETERSEN PRODUCTS CO. LLC		
MATERIAL:		
FINISH:		
TITLE: 129-SERIES DUAL MULTI-FLEX™ LINE STOP PLUG DATA SHEET		
NAME	DATE	SIZE DWG. NO.
DRAWN	8/23/11	B
ENG APPR.		
MFG APPR.		
SCALE: 1:22		REV 0
		SHEET 1 OF 1